

Station	Easting	Northing	Level
A1	305914.524	185739.827	142.459
A2	305868.235	185698.843	138.878
A3	305888.963	185694.229	132.860
A3A	305882.255	185637.411	132.142
B1	305902.695	185775.296	141.377

Key to Abbreviations

Asp.	Asphalt
B	Beard
BS	British Beacon
BW	Block wall
Br	Brick wall
BT	British Telecom Cover
BW	Barbed Wire
CB	Telephone Control Cabinet
C/B	Cable Board
CCTV	Closed Circuit Television
CDP	Cable Drive Pit
C1	Corrugated Iron
CL	Cover Level
CL	Chain Link
C/P	Chequered Paving
Conc.	Concrete
Elec.	Electricity Inspection Cover
EI Sub Sm	Electricity Sub Station
EP	Electricity Pole
ER	Earth Road
FH	Fire Hydrant
FW	Foul Water
G	Gully
Galv.	Galvanised
GV	Gas Valve
IC	Inspection Chamber
IL	Invert Level
IR	Iron Railings
LB	Laser Bn
L/L	Latch Loop
LP	Lamp Post
MH	Manhole
Mar	Marker
P/R	Post and Rail
RE	Rodding Eye
RS	Road Sign
RWP	Rain Water Pipe
SL	Sump Level
St	Stone Wall
SV	Stop Valve
SW	Surface Water
TL	Traffic Light
TV	Top of Wall
TP	Telephone Pole
TV	Cable Television Cover
UTL	Unstable to L/R
VP	Vent Pipe
WL	Water Level
WM	Water Meter

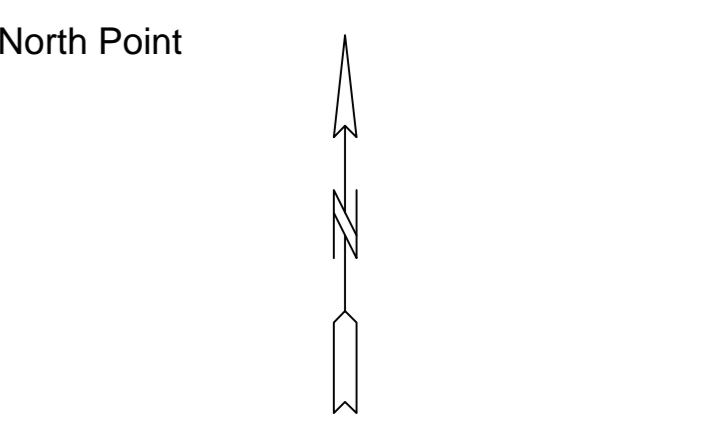
LINE TYPES

	Building
	Canopy
	Edge of Surfaces
	Embankments and ditches
	Fences
	Overhead cables
	Vegetation
	Walls, Kerbs etc.
	Hedges

Note: Kerb levels are channel levels unless otherwise stated.

Notes

Sheet Layout



All levels related to:
Ordnance Survey Datum derived by GPS.

Title
**GELYNOG FARM,
BEDDAU.**

Client
MIKE DAVIES

Scale: 1:200 @ A0	Date: January 2019
Surveyed by: D McNeil-Jones	Checked by: A H Davies
Drawing Number: 2781-1	Rev.

DAVIES
SURVEYS LIMITED

Castle House, South Well, CP15 7RD
Tel: 029 20 811 000
Email: info@daviesurveys.co.uk
Web: www.daviesurveys.co.uk