

Station	Easting	Northing	Level
A1	309774.054	182738.627	140.429
A2	309896.235	185698.840	138.879
A3	309898.963	185684.238	135.695
A3A	309882.355	185637.411	132.142

Key to Abbreviations

Asp.	Asphalt
B	Bedford
BB	British Beacon
BM	Block wall
Br	Brick wall
BT	British Telecom Cover
BW	Barbed Wire
CB	Telephone Control Cabinet
CB	Close Boarded
CCTV	Closed Circuit Television
CDP	Cable Draw Pin
C1	Corrugated Iron
CL	Cover Level
CL	Chain Link
C/P	Chestnut Paving
Conc.	Concrete
Elec.	Electricity Inspection Cover
E1 Sub Bin	Electricity Sub Station
EP	Electricity Pole
ER	Earth Road
FH	Fire Hydrant
FW	Foul Water
G	Gully
Gab.	Gabion Wall
GV	Gas Valve
IC	Inspection Chamber
IL	Invert Level
IR	Iron Railings
LB	Laser Bin
L/L	Larch Lash
LP	Lamp Post
MH	Manhole
Mer	Marker
P/R	Post and Rail
RE	Robbing Eye
RS	Road Sign
RWP	Rain Water Pipe
SL	Sump Level
St.	Stone Wall
SV	Stop Valve
SW	Surface Water
TL	Traffic Light
Top of Wall	Top of Wall
TP	Telegraph Pole
TV	Cable Television Cover
UTL	Unable to Locate
VP	Vent Pipe
WL	Water Level
WM	Water Meter

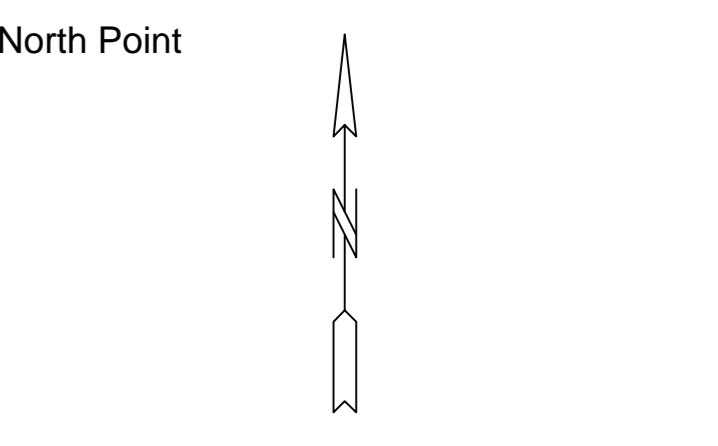
LINE TYPES

	Building
	Canopy
	Edge of Surfaces
	Embankments and ditches
	Fences
	Overhead cables
	Vegetation
	Walls, Kerbs etc.
	Hedges

Kerbs levels are choidal levels unless otherwise stated.

Notes

Sheet Layout



All levels related to:
Ordnance Survey Datum derived by GPS.

Title
GELYNOG FARM,
BEDDAU.

Client
MIKE DAVIES

Scale: 1:200 @ A0	Date: November 2018
Surveyed by: D McNeil-Jones	Checked by: A H Davies
Drawing Number: 2781	Rev.

DAVIES
SURVEYS LIMITED

Castle House, Bath Walk, CF15 7HD
Tel: 029 20 811 000
Email: info@daviesurveys.co.uk
Web: www.daviesurveys.co.uk